

# Shogun FV74 6X4

AMT / AIR SUSP. / MWB



GVM

24,000 KG

Heavy rigid licence required

GCM

53,000 KG

Power/Torque

335 kW / 2200 NM



S  
H  
O  
G  
U  
N  
将  
軍



ADVANCED EMERGENCY BRAKING, LANE DEPARTURE WARNING AND ACTIVE ATTENTION ASSIST AS STANDARD.

# Specifications

## MODEL

6x4 FV74 455hp MWB 12 Sp. AMT Air Susp. (FV74HK4VF4A)

## WHEEL BASE

4300mm

## GVM (optional)

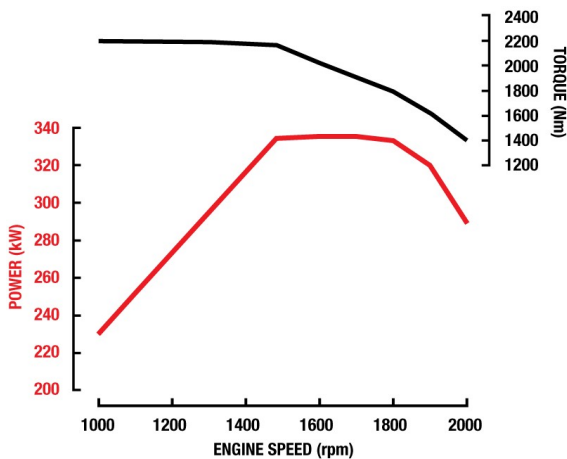
24,000kg

## GCM (optional)

53,000kg

### Engine

Engine Version	FUSO OM470-T4 Diesel
Configuration	6 Cyl. In-line OHV
Type	Waste-gate Turbocharged with Air to Air Intercooled
Displacement	10.7 litre (10677 cc)
Bore	125 mm
Stroke	145 mm
Power (DIN)	335 kW (455 hp) @ 1600 rpm
Torque (DIN)	2200 Nm (1622 lb.ft) @ 1100 rpm
Maximum Engine Speed	2100 rpm
Compression Ratio	18.5:1
Air Cleaner	Paper Element Type with Restrictor Indicator. Vertical Intake Mounted on Clean Air Side (RH)
Emission Control	Diesel Particulate Filter (DPF) plus SCR After-Treatment System
Emission Level	ADR 80/03 - Euro VI



### Fuel

Injection System	Common Rail Direct Injection with Pressure Booster
Tank Type	Rectangular Alloy Tank with Locking Cap
Fuel Capacity *	400 Litres
Filtration	Filter with Water Separator and Dash Indicator
AdBlue Exhaust Fluid Capacity	60 Litres, Tank fitted with locking AdBlue cap
Speed Limiter	Speed Limited 100km/h
Notes	*Max Fill to approx 95% of Air Capacity

### Cooling

Fan Drive	Thermo modulated continuous control (Viscous)
Radiator	Corrugated Fin with Expansion Tank

### Electrical

Voltage	24V Negative Ground
Alternator Capacity	24V-150 amp*
Starter Capacity	24V-7.0kW
Battery Capacity	2x12V, 150Ah/20hr
Battery Specification	2x145G51 (N150)
Headlamp Type	Automatic Type Low Beam: LED High Beam: Halogen
Cornering Lamps	Standard
Notes	*Unless Option Q07 is selected

### Clutch

Clutch Model	FUSO K4/430
Type	Single Dry Plate
Operation/Specification	Automated Manual (no clutch pedal)

### Transmission

Version	FUSO Automated Manual G230-12
Type/Speeds	12 Speed Automated Manual with Auto and Manual Modes
Features	Crawler Mode Skip Shift Function for Light Loads ECO Mode to Minimise Fuel Usage
Ratios	1st: 11.672 2nd: 9.101 3rd: 7.055 4th: 5.501 5th: 4.400 6th: 3.430 7th: 2.652 8th: 2.068 9th: 1.603 10th: 1.250 11th: 1.000 12th: 0.779 RHigh: 9.101 RLow: 11.673 Torque limited from 1st to 3rd and Reverse
PTO Opening	Rear of Transmission

### Propeller Shaft

Type	Single Main Shaft GW5E2200 Inter-axle Shaft P12
------	--

### Front Axle

Axle Version	FUSO F900T
Type	Reverse Elliot 'I' Beam
Capacity *	6500kg
Notes	*See MAX LOADING for vehicle capacity.

### Front Suspension

Type	Long Taper Leaf with Double Acting Shock Absorbers
Size	1500x90mm Leaves

### Rear Axle

Type	Full Floating Hypoid Type Tandem Drive with Inter-Axle Diff Lock Limited Slip Differential (LSD) to both Axles
Axle Version	FUSO R10TT/R10T
Capacity*	21600kg
Ratio	4.625:1
Notes	*See MAX LOADING for vehicle capacities

### Rear Suspension

Type	Air Suspension
Details	Trailing Arm with Air Dump Control and Double Acting Shock Absorbers
Capacity at Ground *	18000kg total*
Notes	*See MAX LOADING for vehicle capacities

### Max Loading

Front	6500kg
Rear	18000kg
Total	24000kg

### Options

Options	Q06: Engine Flywheel PTO (650 Nm) Bridgestone Tyres
	Q07: Final Gear Ratio (4.222) 24V-100A Alternator

# Specifications

## MODEL

6x4 FV74 455hp MWB 12 Sp. AMT Air Susp. (FV74HK4VFAA)

## WHEEL BASE

4300mm

## GVM (optional)

24,000kg

## GCM (optional)

53,000kg

### Steering

Type	Integral Ball and Nut
Steering Column	Tilt/Telescopic Adjustable

### Brakes

Type	Full Air, Dual Circuit with FUSO Taper Rollers
Size Front	410x160mm
Size Rear	410x200mm
Features	Exhaust Brake Brake Priority System
Park Brake	Rear Wheel Spring Actuated
Engine	Constant Throttle Brake 3 Levels of Retardation
Trailer	Hand Control Valve, Air Lines Coupling and Electrical Cable

### Wheels & Tyres

Wheel Type	10, Single Piece Alloy Disc
Wheel Size	22.5x8.25DC
Wheel Stud Pattern	10x335mm PCD
Tyre Brand	Michelin*
Tyre Size Front	295/80R22.5 152/148
Tyre Size Rear	11R22.5 148/145
Notes	*Unless Option Q06 is selected

### Chassis

Type	Reinforced Parallel Channel
Size	300x90x7.0 mm
Width	840 mm
Tensile Strength	540 MPa

### Instruments

Gauges	Speedometer Tachometer Fuel Level Air Pressure AdBlue Level
Colour Information Display	Odometer Tripmeter (x2) Hour Meter (x2) Outside Temperature AdBlue Level DPF Information Driving Range (Fuel and AdBlue) Current Vehicle Speed Cruise Control Lane Departure Warning Active Attention Assist Warning Alarm Clock Level Control Service Indicator & Reminder System Air Pressure Coolant Temperature Engine Oil Level & Running Time
Warning Lamps	ABS ASR ESP ESP Off Turn Signal Headlamps High Beam Hill Holder Auxiliary Brake Parking Brake Engine Over-speed Air Pressure Low Height Control Cab Tilt Lock DPF Regeneration DPF Status AdBlue Empty AdBlue Contamination Active Brake Assist
Warning Lamp/Buzzer	Air Pressure Cab Tilt Engine Over-speed AdBlue Empty AdBlue Contamination

### Multi-Media Package

Satellite Navigation	Maps with heavy vehicle weight, length, height & hazardous material selectable restrictions with 3 years of Map updates
Colour Display	7 inch LCD with touch screen control
Phone Connectivity	Bluetooth® hands free
Audio Visual Entertainment	Bluetooth® music streaming compatible Digital radio DAB+ (also AM/FM for areas not covered by DAB+) USB & 3.5mm/AUX port
Reversing Camera Compatible	Display can accept up to 5 cameras#
Optional Accessories (available at additional cost)	Rear Mounted Parking Sensor Kit (High or Low) USB Quick Charge Kit Qi Wireless Charging Pocket for Mobile Devices Tyre Pressure Monitoring System
Notes	# Cameras available through spare parts

# Specifications

## MODEL

6x4 FV74 455hp MWB 12 Sp. AMT Air Susp. (FV74HK4VFAA)

## WHEEL BASE

4300mm

## GVM (optional)

24,000kg

## GCM (optional)

53,000kg

### Standard Features

Airbag(s)	Driver's Air Bag and Seat Belt Pre-tensioners
Active Safety Features	ABS plus EBD (Electronic Brake force Distribution) EBS Active Attention Assist Advanced Emergency Braking (AEBS/ABA4) Adaptive Cruise Control (with Stop & Go) Anti-Slip Regulator (ASR) Electronic Stability Program (ESP) Lane Departure Warning System (LDWS)
Hill Start System	Yes
Cab Cooling & Heating	Climate Control
Accessory Power	24V Accessory Power Outlet (x2) plus Cigar Lighter
Driving	Suspended Driver's Seat Central Locking Electric Windows LH Transom Window Opening Rear Quarter Glass Cup Holder Fluorescent Cabin Lamp
Storage	Centre Storage Compartments (x3 Total, Lockable x1) Driver's Overhead Storage Door Storage Pockets Coat Hooks
Cab: External	Fog Lights Door Side Impact Beams Roof Mounting Points (max. static load 70kg) Front End-Outline Marker Lamps
Chassis	Integrated Front Underrun System (FUPS) Reverse Warning Buzzer Clear Top of Chassis Rail for ease of Body Fitment

### Cab Features

Type	All Steel Forward Control Elec / Hyd Tilt Cab
Cab Structure	ECE-R29 Standard
Mounting	Air Suspended Front and Rear
Colour	Natural White
Windscreens Wipers	Automatic 2 Speed + Intermittent Cycle with Integrated Washer Nozzles
Rear Vision Mirrors	2 x External Flat Main Mirrors Plus Convex Spotters Motorised Main Mirrors, All Mirrors Heated
Seating Capacity	2
Seat Belts	2 Lap Sash
Seat (driver)	Air Suspension with Height, Tilt and Dampening Adjustment Integral Headrest and Fabric Trim
Seats (passenger)	Single Fixed
Sleeping	ADR42/04 Approved Sleeping Berth

### Service Intervals

Interval*	50,000km or 12 Months (whichever occurs first)
Notes	* based on normal operating conditions and may be reduced when operating under severe conditions.

### Warranty

Basic/Powertrain	5 Years or 500,000kms (whichever occurs first)
Cab Perforation/Anti Corrosion	5 Years

### Performance

Turning Circle (kerb to kerb - metres)	15.2
Electronically Speed Limited to:	100km/hr Conforms to ADR65/..
Engine Speed (rpm) at 100km/hr (top gear)	1879
Gradeability at Rated GVM (theoretical)*	66%
Gradeability at Rated GCM (theoretical)*	28%
Notes	*This is theoretical performance only. Actual performance may vary under different conditions

### Mass (estimated)\*

Front*	4345kg
Rear*	3155kg
Total*	7500kg
Notes	* Mass (est.) includes oil and water but excludes spare wheel, tools & fuel. Weights provided are subject to 3.5% variation (+/-)

### Dimensions (mm)

WFF (Width Front Fender) (mm)	2490
WRA (Width Rear Axle) (mm)	2480
WFT (Width Front Track) (mm)	2075
WRT (Width Rear Track) (mm)	1865
Width Frame (mm)	840
A - Length Overall (mm)	7640
B - Extreme Axle Spacing (mm)	4960
C - Front Overhang (mm)	1370
D - Wheelbase (mm)	4300
F - Rear Axle Spacing (mm)	1320
G - Front Axle to Rear of Cab (mm)	700
H - Rear of Cab to Rearmost Item Behind Cab (mm)	145
I - Rearmost Item Behind Cab to Rear Axle (mm)	3455
J - Frame, Rear Axle to End (mm)	1970
N - Height Overall (mm)	3300
O - Air Intake to Cab Roof (mm)	205
P - Height Cab to Ground (mm)	3095
Q - Height Cab to Frame (mm)	2090
R - Height Rear Frame to Ground (mm)	1033

### Body Builder's Notes

Notes	Chassis reinforcement must be utilised for Tipper/Demountable type body configurations. To conform with ADR 13/00 (lighting requirements) the following must be adhered to at body installation. - If other than a flat type or tipper body is fitted, rear end out-line marker lamps must be installed. - If overall length exceeds 6.0 metres, side reflectors must be installed. - If overall length exceeds 7.5 metres, side marker lamps must be installed. To conform with ADR 42/04 (General Safety), rear wheel guards must be fitted to the vehicle.
-------	---

# Specifications

## MODEL

6x4 FV74 455hp MWB 12 Sp. AMT Air Susp. (FV74HK4VFAA)

## WHEEL BASE

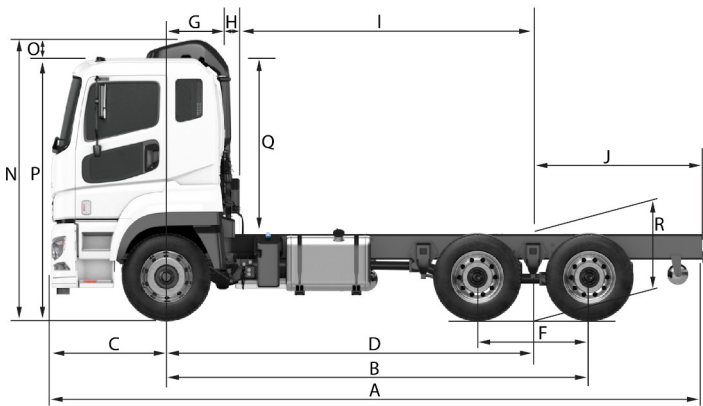
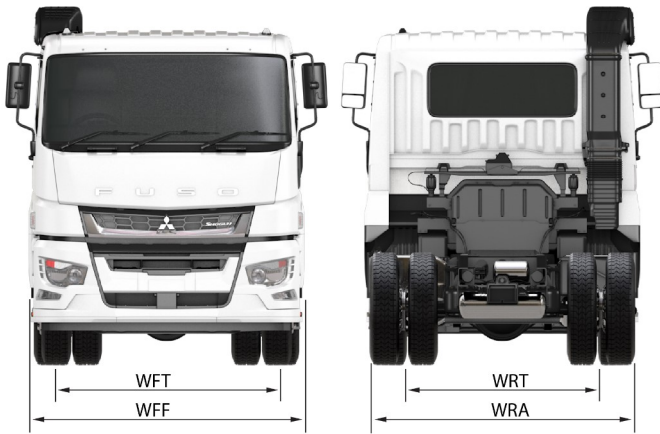
4300mm

## GVM (optional)

24,000kg

## GCM (optional)

53,000kg



**Call 1800 033 557**

or visit [fuso.com.au](http://fuso.com.au)

Unless specified in writing herein the accessories, applications, bodies or equipment depicted in this document are for illustration purposes only and may not be available from Daimler Truck and Bus Australia Pacific Pty Ltd. (ABN 86 618 413 282) (DTB). No representation or warranty whatsoever is given in relation to any accessories, applications, bodies or equipment or suitability of same that are shown herein that may be manufactured, supplied or fitted by a party other than DTB. DTB reserves the right without notice or obligation to discontinue or make changes to the colour, designs, materials and specifications of the products and options referred to herein at any time. For the most current information and in order to ascertain which accessories, applications, bodies and equipment are available from DTB please contact your authorised FUSO Truck and Bus dealer. Fuso is a registered trademark of Daimler Truck and Bus Australia Pacific Pty Ltd. Copyright DTB. Reproduction in whole or part prohibited without written approval. Part Number TSS23A-SSV3. Valid from 15-Jul-19.